

FAG

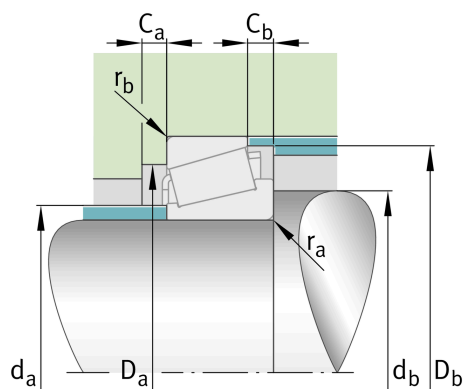
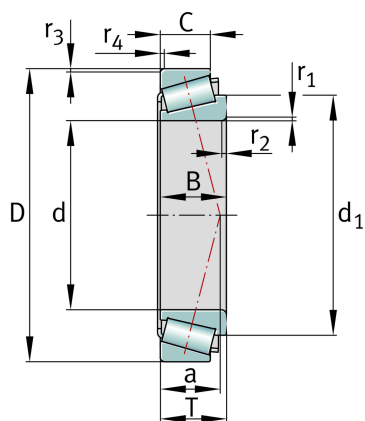
32012-X-XL

Tapered roller bearing

Schaeffler ID:
0792063600000Tapered roller bearings 320, main
dimensions to DIN ISO 355 / DIN 720,
separable, adjusted or in pairs

X-life

Technical information

**Main Dimensions & Performance Data**

d	60 mm	Bore diameter
D	95 mm	Outside diameter
B	23 mm	Width, inner ring
C	17.5 mm	Width, outer ring
T	23 mm	Width, total
C_r	97,000 N	Basic dynamic load rating, radial
C_{0r}	124,000 N	Basic static load rating, radial
C_{ur}	20,100 N	Fatigue load limit, radial
n_G	8,800 1/min	Limiting speed
n_{gr}	4,350 1/min	Thermal speed rating
	0.62 kg	Weight

Dimensions

$r_{1,2 \text{ min}}$	1.5 mm	Minimum chamfer dimension of inner ring back face
$r_{3,4 \text{ min}}$	1.5 mm	Minimum chamfer dimension of outer ring back face
a	21 mm	Distance between the apexes of the pressure cones
d_1	79.6 mm	Guidance rib diameter of inner ring

Mounting dimensions

$d_{a \max}$	67 mm	Maximum diameter of shaft shoulder
$d_{b \min}$	67 mm	Minimum diameter of shaft shoulder
$D_{a \min}$	85 mm	Minimum diameter of housing shoulder
$D_{a \max}$	88 mm	Maximum diameter of housing shoulder
$D_{b \min}$	91 mm	Minimum diameter of housing shoulder
$C_{a \min}$	4 mm	Minimum axial space
$C_{b \min}$	5.5 mm	Minimum axial space
$r_{a \max}$	1.5 mm	Maximum fillet radius of shaft
$r_{b \max}$	1.5 mm	Maximum fillet radius of housing

Calculation factors

	T4CC060	Comparative designation to ISO 10317 and ISO 355
e	0.43	Limiting value of F_a/F_r for the applicability of diff. Values of factors X and Y
Y	1.39	Dynamic axial load factor
Y_0	0.77	Static axial load factor

Temperature range

T_{\min}	-30 °C	Operating temperature min.
T_{\max}	120 °C	Operating temperature max.